

# 700XP & 900XP accessories





# Index

<b>Accessories for specific functions .....</b>	<b>4</b>
Accessories for gas ranges.....	4
Accessories for gas boiling top HP.....	6
Accessories for electric ranges.....	6
Accessories for induction ranges.....	7
Accessories for oven ranges.....	8
Accessories for fry tops .....	9
Accessories for grills .....	11
Accessories for multifunctional cookers.....	14
Accessories for fryers .....	15
Accessories for pasta cookers .....	20
Accessories for bain maries .....	26
Accessories for braising pans .....	26
Accessories for boiling pans.....	27
Accessories for cupboards and open bases .....	29
Accessories for refrigerated bases.....	31
Soft cooker.....	31
<b>Accessories for installation.....</b>	<b>32</b>
Covering panels.....	32
Handrails.....	33
Chimney upstands.....	34
Stands / supports.....	35
Junction sealing kit .....	35
Stainless steel plinths .....	36
Cover panels for service duct .....	37
Installation on 100 mm concrete plinth .....	38
Support for bridge installation.....	30
Cantilever support.....	40
Wheels and flanged feet.....	43
Water columns.....	44

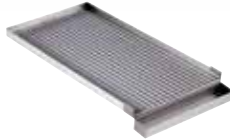
# Accessories for gas ranges



921684



921685



## Burner double zone plates

Range	700XP	
PNC	921684	921685
Plate	smooth	ribbed
Material	stainless steel	

- ▶ Fry top mode for 700 range gas burners and simple service
- ▶ Equipped with a removable grease collection container

206264



206170



## Burner radiant plates

Range	700XP	900XP
PNC	206264	206170
Plate		only for 6kW burners
Material	cast iron	

- ▶ Solid top mode for gas burners and simple service

206363



## Wok support

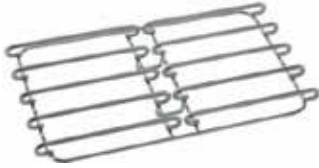
Range	700XP and 900XP
PNC	206363
Material	stainless steel

- ▶ Wok pan support for open burners
- ▶ Except for 3-burner top 391024

# Accessories for gas ranges



206297  
206298



## Twin-burner stainless steel grids

Range	700XP	900XP
PNC	206297	206298
Material	stainless steel	

- Pans support for gas burners

# Accessories for gas boiling top HP



206283



## Ground support for 3-burner gas boiling top (391024)

Range	900XP	
PNC	206283	
Material	stainless steel	

- Lets the 3-burner top 391024 be used like a stockpot

# Accessories for electric ranges

206168  
206056

## Cast iron bars

Range	700XP	900XP
PNC	206168	206056
Material	cast iron	

- 2 cast iron bars to obtain 2 wider flat cooking zones
- 700XP for hot square plates only

# Accessories for induction ranges



## Induction pans

653596

653597

653598

Range	700XP and 900XP		
PNC	653596	653597	653598
Material	stainless steel	aluminum	aluminum
Handle	stainless steel	stainless steel	stainless steel
Diameter	200 mm	240 mm	280 mm

910613

911587

911588



## Induction wok-pans

Range	700XP and 900XP		
PNC	910613	911587	911588
Material	steel	stainless steel	stainless steel
Handle	wood	stainless steel	-
Diameter	360 mm	360 mm	360 mm
Height	105 mm	105 mm	-

# Accessories for oven ranges



164250



## Chrome grid

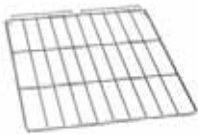
Range	700XP and 900XP
PNC	164250
Oven	for static oven
Size	2/1 GN
Material	chrome

- 1 piece is included in standard delivery

206204



206243



## Chrome grids

Range	900XP	
PNC	206204	206243
Oven	for large oven*	for ventilated oven**
Size	972x687 mm	2/1 GN
Material	chrome	

- \* For codes 391015 and 391016; 1 piece is included in standard delivery
- \*\* 2 pieces are included in standard delivery



# Accessories for fry tops



164255



206420

## Scrapers

Range	700XP and 900XP	
PNC	164255	206420
Use on	smooth plate	ribbed plate

- ▶ 1 or 2 pieces, according to the surface type, is included in the standard delivery for the 700XP and 900XP chrome plated models and are optional for steel 700XP models

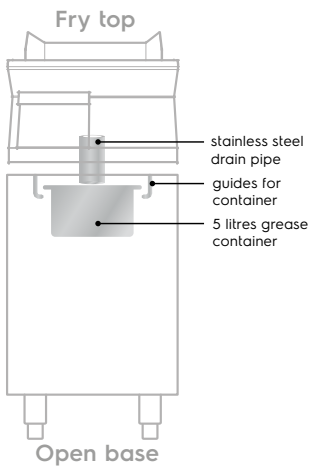
206346



## Grease container

Range	700XP and 900XP
PNC	206346

- ▶ Includes containers, guides, stainless steel drain pipe to convey the grease/oil from the fry top cooking surface to the container and front closing panel
- ▶ To be used with top, cupboard and open base



# Accessories for fry tops



206296



## Stopper

Range	700XP and 900XP
PNC	206296
Material	stainless steel

- Stopper for fry top with horizontal plate - used to keep the grease released by the food on the frying plate
- Except for HP version

206153



216153



206345



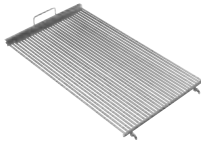
## Water drains

Range	900XP		
PNC	206153	216153	206345
Appliance width	400 mm	800 mm	1200 mm

# Accessories for grills



206408



## Grids for freestanding gas grills

Range	700XP		900XP	
PNC	206414	206410	206408	206404
Appliance width	400 mm	800 mm	400 mm	800 mm
Material	stainless steel			

- Grills are equipped with cast-iron grids with drainage channels as standard

206415



## Grids with drain channels for freestanding grills

Range	700XP		900XP	
PNC	206415	206411	206409	206405
Appliance width	400 mm	800 mm	400 mm	800 mm
Material	stainless steel			

- Grills are equipped with cast-iron grids with drainage channels as standard

206415



## Grids with drain channels for top grills

Range	700XP		
PNC	206415	206416	206418*
Appliance width	400 mm	800 mm	400 mm
Material	stainless steel		
Note	grid	grid	support

206418



- Grills are equipped with cast-iron grids with drainage channels as standard
- \*Applied to the splashguard as a support to adjust the inclination of the grid. Order 2 pieces for 800 mm unit
- Except for electric Powergrill<sup>HP</sup>

# Accessories for grills



206422



## Scrapers

Range	700XP and 900XP			
PNC	206421	206422	206347	206436
Grid type	stainless steel with drain channels	cast iron	cast iron	steel
Appliance type	standard	standard	HP gas	HP electric
Included		•		•
Note	scraper	scraper	scraper with hook	scraper

206437

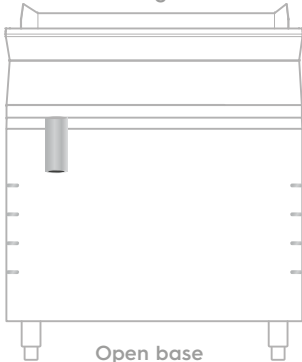


## Drain extension for HP electric grills

Range	700XP and 900XP
PNC	206437
Material	stainless steel
Note	to be used with 206257 (700XP) or 206145 (900XP)

- ▶ To be used as an alternative to standard drain together with a GN container to be ordered separately
- ▶ Water container capacity should be:
  - 4,5 lt for 1/2 module 700XP
  - 8,8 lt for 1 module 700XP
  - 12,7 lt for 1+1/2 module 700XP
  - 6,7 lt for 1/2 module 900XP
  - 13 lt for 1 module 900XP
  - 20 lt for 1/2 module 900XP

HP grill



Open base

# Accessories for grills



206280



## Water filling taps

Range	700XP and 900XP	
PNC	206280	206281
Appliance width	400 mm	800 mm

- For gas and electric freestanding grills

206434



## Heat deflectors

Range	700XP	900XP
PNC	206434	206435
Appliance typology	Electric HP grill	Electric HP grill

- Delivered as standard with Electric HP grills

921024



## Cooking grids

Range	700XP	900XP
PNC	921025	921024
Appliance typology	Electric HP grill	Electric HP grill

- Delivered as standard with Electric HP grills

# Accessories for multifunctional cookers



921689



921690



## Lids

Range	700XP and 900XP	
PNC	921689	921690
Appliance width	400 mm	800 mm

- For gas and electric multifunctional cookers

164255



921694



## Scrapers

Range	700XP and 900XP	
PNC	164255	921694
Note	scraper	blades with rounded corners

- Included in standard delivery

# Accessories for fryers



960638



## Baskets for gas and electric fryers

Range	700XP	
PNC	960638	921608
Quantity	2	1
Size	half	full
Appliance typology	2x5 and 7 lt	7 lt

921608



▶ 960638 is included in standard delivery

921629



## Baskets for gas and electric fryers

Range	700XP		
PNC	921629	921691	921692
Quantity	1	1	2
Size	full	full	half
Appliance typology	12 lt	14 and 15 lt	14 and 15 lt

921691



921692



▶ 921629 is included in standard delivery

921609



## Baskets for gas and electric fryers

Range	700XP	
PNC	921609	921642
Quantity	1	1
Size	half	full
Appliance typology	34 lt	34 lt

921642



▶ 921609 is included in standard delivery

# Accessories for fryers



921691



921692



206196



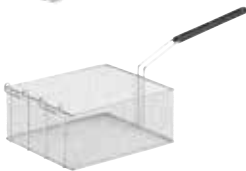
## Baskets for gas and electric fryers

Range	700XP and 900XP		700XP
PNC	921691	921692	206196
Quantity	1	2	1
Size	full	half	full
Included	1	1 for programmable	-
Appliance typology	14 and 15 lt standard	14 and 15 lt standard & programmable	15 lt programmable

927223



927226



## Baskets for gas and electric fryers

Range	900XP			
PNC	927223	927226	927200	927201
Quantity	2	1	2	1
Size	half	full	half	full
Appliance typology	18 and 23 lt standard	18 and 23 lt standard	18 and 23 lt with a front hook*	18 and 23 lt with a front hook*

- ▶ 927223 is included in standard delivery
- ▶ \* Can be used to block baskets on the top for oil dripping



# Accessories for fryers



206235

921023



## Sediment trays

Range	700XP and 900XP	900XP
PNC	206235	921023
Appliance typology	15 lt	23 lt

- ▶ For freestanding V-shape fryers

921695

927227



## Unclogging rods

Range	700XP and 900XP	900XP
PNC	921695	927227
Appliance typology	15 lt	23 lt

- ▶ For drain pipe of freestanding V-shape fryers

921693

206359

200086



## Oil filter for freestanding fryers

Range	700XP and 900XP	900XP	
PNC	921693	206359	200086
Appliance typology	7, 2x7, 14, 2x14, 15 and 2x15 lt	18, 23* lt	23 lt**
Material	stainless steel		

- ▶ \* Only for Gas Tube model PNC 391084
- ▶ \*\*All 23 lt fryers except the Gas Tube model

# Accessories for fryers



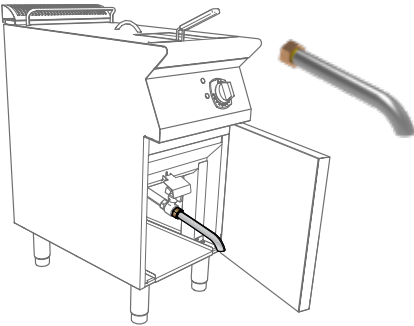
200086

200084  
200085

## Advanced filtration system

Range	900XP		
PNC	200086	200084*	200085
Appliance typology	23 lt with oil recirculation pump		
Material	stainless steel	stainless steel	paper
Included for 23 lt	•	-	-

- \*Kit for paper filter: mandatory for using paper filter

206209  
206301

## Extension for oil drainage

Range	700XP and 900XP	900XP
PNC	206301	206209
Appliance typology	15 lt	23 lt

- Compulsory when the fryer is installed on plinth

200087



## Extension with pump for oil drainage

Range	900XP
PNC	200087
Material	Highly resistant elastomer with stainless steel extremities
Appliance typology	23 lt with oil recirculation pump

# Accessories for fryers



921696



960645



## Deflectors

Range	700XP and 900XP	900XP
PNC	921696	960645
Appliance typology	15 lt	23 lt

- For floured products for freestanding V-shape fryers
- The deflector is lying on the inclined part of the well, in order to avoid the bread or flour released by the products to lie there and get burned.

206201



## Hygienic lid for fryers

Range	900XP
PNC	206201
Appliance typology	23 lt

- Standard lid delivered as standard for the 23 litres fryer model.

200171



## Lid for oil container

Range	900XP
PNC	200171
Appliance typology	23 lt

# Accessories for pasta cookers



921611



## Baskets

Range	700XP	
PNC	921611	921610
Quantity	1	2
Size	350x220 mm	170x220 mm
Appliance typology	24.5 and 24.5+24.5 lt	24.5 and 24.5+24.5 lt

921610



- ▶ Baskets are not included as standard; only exception is programmable pasta cooker with automatic lifting (code 371100)

921619



## Baskets

Range	700XP
PNC	921619
Quantity	2
Size	105x350 mm
Appliance typology	24.5 and 24.5+24.5 lt

- ▶ Baskets are not included as standard; only exception is programmable pasta cooker with automatic lifting (code 371100)

206381



## Basket support for pasta cooker

Range	700XP
PNC	206381
Quantity	1
Size	290 x 85 mm
Appliance typology	24.5 and 24.5+24.5 lt

- ▶ To be used with 921619

# Accessories for pasta cookers



921020

921021

921022



## Baskets and support for baskets

Range	700XP		
PNC	921020	921021	921022
Quantity	2	2	1
Max nr. of baskets per well	4	6	-
Size	105x160 mm	105x105 mm	230x350 mm
Appliance typology	24,5 and 24,5+24,5 lt	24,5 and 24,5+24,5 lt	24,5 and 24,5+24,5 lt
Note	baskets	baskets	support h 60 mm

- ▶ Baskets are not included as standard; only exception is programmable pasta cooker with automatic lifting (code 371100)
- ▶ Support is mandatory

# Accessories for automatic pasta cookers



206312

206314

206362



## Baskets for automatic pasta cooker

Range	700XP		
PNC	206312	206314	206362
Quantity	2	2	1
Size	115x163 mm	105x350 mm	350x230 mm
Appliance typology	automatic pasta cooker		
Note	baskets	baskets	support h 147 mm

- ▶ Support is recommended

# Accessories for pasta cookers



206433

206237

## Baskets

Range	900XP	
PNC	206433	206237
Quantity	2	1
Max nr. of baskets per well	6	2
Size	130x130 mm 6 fit in a 40 lt well	135x310 mm 2 fit in a 40 lt well
Appliance typology	40 and 40+40 lt	40 and 40+40 lt

► Code 206238 compulsory for: 206433 and 206237



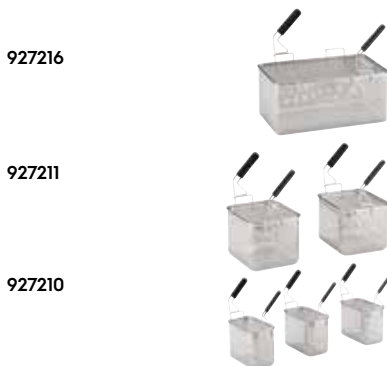
206233

206238

## Baskets and support for baskets

Range	900XP	
PNC	206233	206238
Quantity	1+2	1
Size	1x 1/3 GN + 2x135x310 mm	295x505 mm
Appliance typology	40 and 40+40 lt	40 and 40+40 lt
Note	baskets	support

► Code 206238 compulsory for: 206233



927216

927211

927210

## Baskets

Range	900XP		
PNC	927216	927211	927210
Quantity	1	2	3
Size	1/1 GN	1/2 GN	1/3 GN
Appliance typology	40 and 40+40 lt	40 and 40+40 lt	40 and 40+40 lt

# Accessories for pasta cookers



927212



## Round baskets

Range	900XP	
PNC	927212	927213
Quantity	3	6
Size	Ø 181 mm	Ø 145 mm
Appliance typology	40 and 40+40 lt	40 and 40+40 lt

927213



927219



## Supports for 40 lt pasta cookers

Range	900XP	
PNC	927219	960644
Size	290x500x115 mm	330x535x10 mm
Note	grid support for round baskets (compulsory for 927212 and 927213)	support frame to hold 6 round baskets (alternative to 927219)

960644



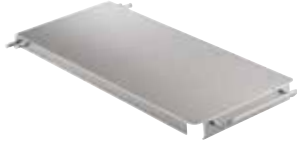
# Accessories for pasta cookers



921607



206190



## Lids and lid holder

Range	700XP	900XP
PNC	921607	206190
Appliance typology	24.5 lt and 24,5 + 24,5 lt	40 lt and 40+40 lt
Note	lid	lid and lid holder

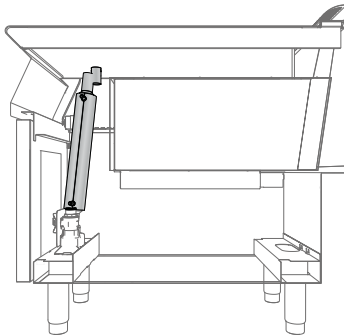
206344



## Energy Saving Device

Range	700XP and 900XP
PNC	206344
Note	1 per well needed

- Used to preheat fresh water to refill the well, thus saving energy





# Accessories for pasta cookers

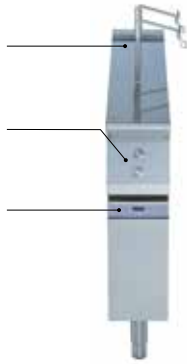


## 206352

2 Lifting arms

Push-buttons for manual use or cooking cycle start

User interface (9 programs storable)



## Programmable basket lifting unit

Range	700XP
PNC	206352
Dimension	200 mm wide

## Available baskets



**921610** - 2 baskets 170x220 mm  
see page 20



**921020** - 2 baskets 156x172 mm  
see page 21



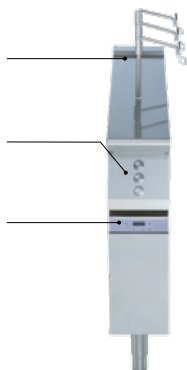
**206396** - frame/support for  
2 single portion baskets for 921020

## 206353

3 Lifting arms

Push-buttons for manual use or cooking cycle start

User interface (9 programs storable)



## Programmable basket lifting unit

Range	900XP
PNC	206353
Dimension	200 mm wide

## Available baskets



**927210** - 3 X 1/3GN baskets  
see page 22



**206433** - 2 basket 130x130 mm  
see page 22



**206395** - frame/support for  
2 single portion baskets for 206433

## Accessories for bain maries



921622



### Drilled false bottoms

Range	700XP and 900XP	
PNC	921622	921623
Appliance width	400 mm	800 mm

921627



### Water filling tap

Range	700XP and 900XP	
PNC	921627	
Material	stainless steel	

## Accessories for braising and boiling pans



922403



### Trolleys with lifting and removable tank

Range	700XP and 900XP	
PNC	922403	
Material	stainless steel	

# Accessories for boiling pans



921626



## Basket

Range	700XP and 900XP
PNC	921626
Appliance typology	60 lt
Note	1-section basket

- To make your boiling pan work as a pasta cooker!

925018



## Basket

Range	900XP
PNC	925018
Appliance typology	100 lt
Note	2-section universal basket

- To make your boiling pan work as a pasta cooker!

925019



## Basket

Range	900XP
PNC	925019
Appliance typology	150 lt
Note	2-section universal basket

- To make your boiling pan work as a pasta cooker!

# Accessories for boiling pans



206279



## Automatic depressurization kit

Range	900XP
PNC	206279
Appliance typology	100 and 150 lt

- ▶ For indirect heating boiling pans (double jacketed)
- ▶ If not installed: depressurization of the double-jacket must be done manually

927222



## Water additive against corrosion

Range	700XP and 900XP
PNC	927222
Appliance typology	100 and 150 lt indirect heating

- ▶ For indirect heating boiling pans
- ▶ 1 container of water additive against corrosion is already included in the standard appliances delivery

# Accessories for cupboards and open bases



206350



## Door for open base

Range	700XP and 900XP
PNC	206350

- Same for left and right-side door

206259



## Electric heating kit for cupboard

Range	700XP and 900XP
PNC	206259
Size	360x510x60 mm
Electric conn.	230V 1ph 50/60 Hz
Power	0.65 kW

- To be fixed on the bottom of the base
- The base has to be with doors and can not be used as holding cabinet for food
- Only in combination with gas cookers and ambient worktops

206245



## Central support

Range	700XP and 900XP
PNC	206245
Note	central support for installation of drawers and grids (on 800/1200 mm bases) and of doors (on 1200 mm bases)

- Needed for installation of drawers and grid runners (1 piece for 800 mm)
- Needed for installation of drawers and grid runners (2 pieces for 1200 mm) or only doors (1 piece for 1200 mm)
- Needed if Powergrill or HP fry top are mounted on base

# Accessories for cupboards and open bases



206244



## Supports with side runners

Range	700XP		900XP
PNC	206257	206244	206145
Note	2 supports with side runners for 4 GN 1/1 containers for open base 371112, 371113, 371114, 371263, 371264 and 371265	2 supports with side runners for 4 GN 1/1 containers for cupboards	2 supports with side runners for 4 GN 1/1 containers for open base or cupboards

206318



## Drawers

Range	700XP	900XP
PNC	206318	206334
Quantity	2	2
Height	100 mm	100 mm

# Accessories for refrigerated bases



206351



## Drawers

Range	700XP
PNC	206351
Quantity	2

# Soft cooker

206428



## Soft cooker

Range	700XP and 900XP	
PNC	206428	206429
Size	128x175x340 mm	GN 1/1
Material	stainless steel	
Note	plug-in	with lid

206429



# Installation accessories

## Covering panels

216000  
216134



### Aesthetical side covering panels

<b>Range</b>	700XP	900XP
<b>PNC</b>	216000*	216134*
<b>Appliance typology</b>	freestanding 700 mm high	freestanding 700 mm high

216277  
216278



<b>PNC</b>	216277	216278
<b>Appliance typology</b>	top 250 mm high	top 250 mm high

- The code includes 2 side covering panels
- \* Should be ordered as a special in case of installation on ref-freezer base (code 727096)

206373



### Rear covering panels

<b>Range</b>	700XP and 900XP			
<b>PNC</b>	206373	206374	206375	206376
<b>Size</b>	600 mm	800 mm	1000 mm	1200 mm

- For island installation to cover the back of the appliances



# Installation accessories

## Handrails

216047



### Front handrails 50 mm depth

Range	700XP and 900XP			
PNC	216046	216047	216049	216050
Size	400 mm	800 mm	1200 mm	1600 mm

206308



### Back handrails 50mm depth

Range	700XP and 900XP	
PNC	206308	206309
Size	800 mm	1200 mm

► To be used for island installation

206307



### Side handrails 50 mm depth

Range	700XP	900XP
PNC	206307	216044
Note	2 pieces: right and left side	2 pieces: right and left side

216185



### Portioning shelves 140 mm depth

Range	700XP and 900XP	
PNC	216185	216186
Size	400 mm	800 mm

Note: none can be mounted to 700XP induction units

# Installation accessories

## Chimney upstands

206304



### Chimney upstands

Range	700XP and 900XP				
PNC	206302	206303	206304	206305	206306
Width	200 mm	400 mm	800 mm	1000 mm	1200 mm

206400



### Chimney grid nets

Range	700XP and 900XP			
PNC	206399	206400	206402	206403
Width	200 mm	400 mm	500 mm	590 mm

## Installation accessories

# Stands / supports

206183



### Stand / supports (shelves)

Range	900XP	
PNC	206183	206184
Width	400 mm	800 mm
Note	to be installed on the neutral work tops	

- Can not be used with Salamanders

## Installation accessories

# Junction sealing kit

206086



### Junction sealing kit

Range	700XP and 900XP
PNC	206086
Note	junction sealing kit to fill any possible gap between side-by-side appliances and prevent from any dirt infiltration

# Installation accessories

## stainless steel plinths



### Frontal kicking strips

Range	700XP and 900XP					
PNC	206174	206175	206176	206177	206178	206179
Width	200 mm	400 mm	800 mm	1000 mm	1200 mm	1600 mm
Appliance typology	all*	all*	all*	all*	all*	all*

- ▶ \* Except 23 lt fryer and ref-freezer base

### Frontal kicking strips

Range	900XP	
PNC	206203	880336
Appliance typology	23 lt fryers	ref-freezer base

### Side kicking strips

Range	700XP	900XP	900XP
PNC	206249	206180	880221
Width	700 mm	900 mm	900 mm
Appliance typology	all*	all*	ref-freezer base

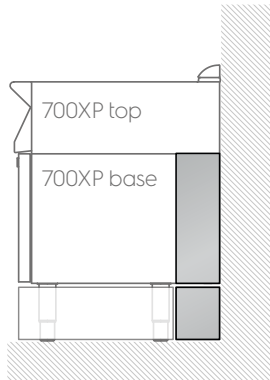
- ▶ \* Except ref-freezer base

#### Kicking strips final effect



- ▶ Front and side kicking strips are aesthetical and hygienic elements, but they do not support the appliance's weight (that is the feet's task)
- ▶ Front kicking strips can be mounted on the back side if needed

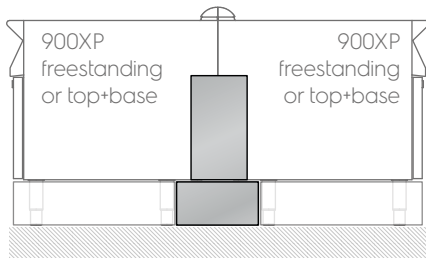
# Cover panels for service duct



## Kit of panels for service duct

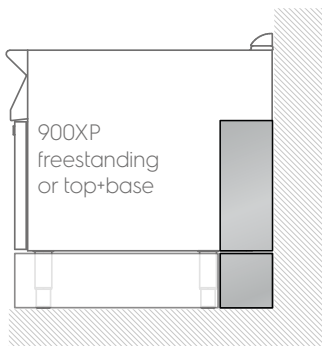
Range	700XP
PNC	206248
Note	kit of panels for service duct for installation top on base
Size	300x40x160 mm

- Freestanding versions of 700XP are without service duct
- Service duct cover panels are not needed in case aesthetical cover panels (code 216000) are ordered



## Kit of panels for service duct

Range	900XP
PNC	206202
Note	kit of panels for service duct for back to back installation
Size	900x20x150 mm

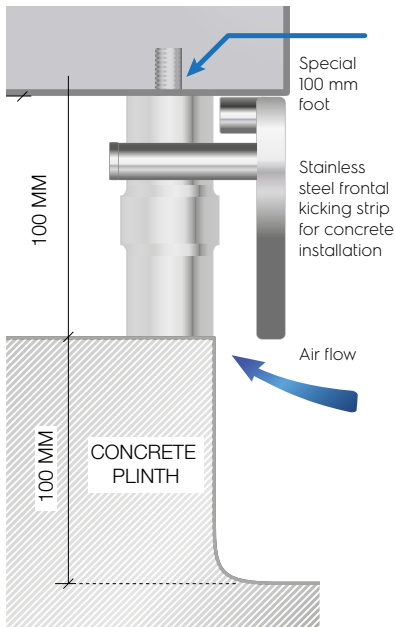


## Kit of panels for service duct

Range	900XP
PNC	206181
Note	kit of panels for service duct for installation top on base or for freestanding units
Size	300x40x160 mm

- Service duct cover panels are not needed in case aesthetical cover panels (code 216134) are ordered

# Installation on 100 mm concrete plinth



## Special feet for concrete installation

<b>Range</b>	700XP and 900XP
<b>PNC</b>	206210
<b>Note</b>	Except for: programmable pasta cooker and 700XP and 900XP programmable fryers

- ▶ 1 kit per appliance
- ▶ The concrete plinth must be 100 mm high in order to have the worktop at 900 mm height: special feet for concrete installation are not adjustable in height

## Frontal kicking strips

<b>Range</b>	700XP and 900XP					
<b>PNC</b>	206146	206147	206148	206150	206151	206152
<b>Width</b>	200 mm	400 mm	800 mm	1000 mm	1200 mm	1600 mm



## Side kicking strips

<b>Range</b>	700XP	900XP
<b>PNC</b>	206265	206157

# Support for bridge installation

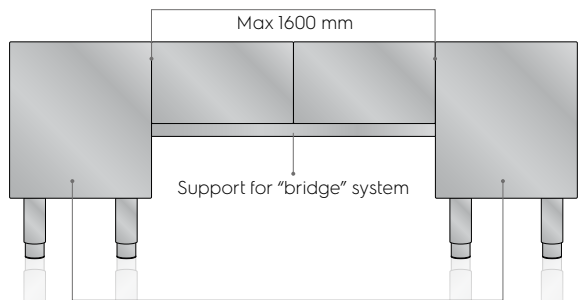
206137



## Supports for bridge installation

Range	700XP and 900XP					
PNC	206154	206137	206138	206139	206140	206141
Width	400 mm	800 mm	1000 mm	1200 mm	1400 mm	1600 mm

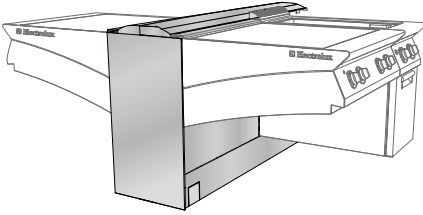
- ▶ Only for top appliances



400/800 mm freestanding or "top on base" appliances (it is recommended to use flanged feet for 400 mm appliances)

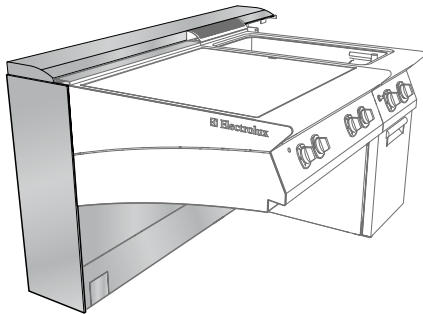
# Installation accessories

## Cantilever support



### Central supports with service duct

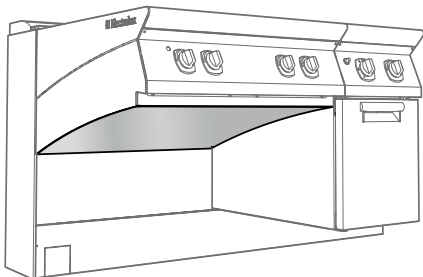
Range	700XP and 900XP				
PNC	206216	206217	206218	206219	206220
Size	2000 mm	2400 mm	2800 mm	3200 mm	3600 mm



### Wall type supports with service duct

Range	700XP and 900XP				
PNC	206211	206212	206213	206214	206215
Size	2000 mm	2400 mm	2800 mm	3200 mm	3600 mm

- ▶ Special frame for installation
- ▶ Includes support frame, cover panels of central column, lower frontal cover panels of the support frame, top cover panel



### Undercover panels

Range	700XP			
PNC	206323	206324	206325	206329
Size	200 mm	400 mm	800 mm	1200 mm

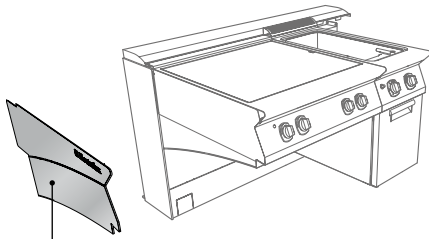
Range	900XP			
PNC	206330	206331	206332	206336
Size	200 mm	400 mm	800 mm	1200 mm

**Note:** Ask your local Electrolux Sales representative for the Cantilever Configurator



# Installation accessories

## Cantilever support bars and cover panels

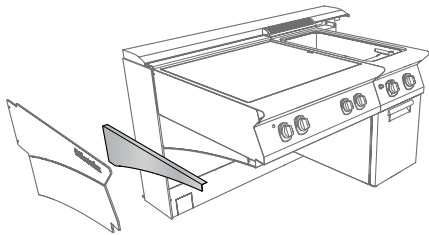


### Cover panel.

No need to order lower covering elements in this case (codes 206258, 206295)

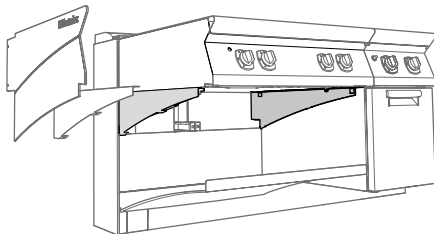
### 2 aesthetic side cover panels

Range	700XP	900XP
PNC	206326	206337



### 2 lower covering elements

Range	700XP	900XP
PNC	206258	206295



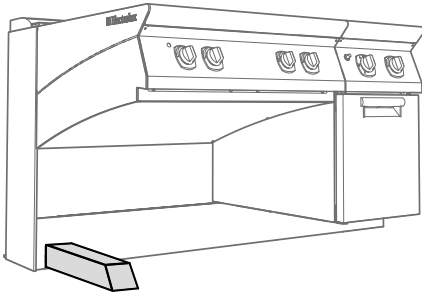
### 2 support bars for top units

Range	700XP	900XP
PNC	206315	206322

**Note:** Ask your local Electrolux Sales representative for the Cantilever Configurator

# Installation accessories

## Cantilever support



### Floor fixing foot

Range	700XP and 900XP
PNC	206226
Dimension WxDxH	105 x 485 x 100 mm

### Kit for braising pan installation

Range	900XP
PNC	206364

# Installation accessories

## Wheels and flanged feet

206135



### Wheels

Range	700XP and 900XP		
PNC	206135	206432	880234*
Appliance	4 wheels (2 with brakes)	6 wheels (3 with brakes)	4 wheels for ref-freezer base

- \*No support bar needed

### Supports for hygienic installation on feet or wheels - cross-wise



Range	700XP and 900XP					
PNC	206366	206431	206367	206368	206369	206370
Appliance typology	all*	all*	all*	all*	all*	all*
Width	400 mm	600 mm	800 mm	1200 mm	1600 mm	2000 mm

- \*Except 700XP 6 burner range with large oven , 900XP 23 lt fryers and pasta cookers and refrigerated bases (see length-wise supports below)
- Not for top appliances

### Supports for hygienic installation on feet or wheels - length-wise

Range	700XP		900XP	
PNC	206371	206444	206430	206372
Quantity	2	3	3	2
Appliance	6 burner range with large oven	ref. bases	ref. bases	23 lt fryers and pasta cookers

206136



### Flanged feet

Range	700XP and 900XP
PNC	206136
Quantity	2

Note: braising pans can not be installed on wheels

# Installation accessories

## Water columns

206377



### Flow meter

Range	700XP	900XP
PNC	206377	206378

- ▶ Top equipped with water column and liter counter

206289



### Water column with swivel arm

Range	700XP and 900XP
PNC	206289

- ▶ Cannot be installed on: Fryers, Chip scuttles, Bases (neutral, freezer, refrigerated)

206291

206290



### Water column extension

Range	700XP	900XP
PNC	206291	206290

- ▶ Not needed when the water column inlet can be reached directly with the flexible water hose from the water net
- ▶ Both codes contain two extensions of different length
- ▶ Mandatory for 900XP installations

# Installation accessories

## Water columns

206231



### External support for water column

Range	700XP and 900XP
PNC	206231

- To install the water column on the side or rear of the appliance

# Request an offer to personalize your cooking area

Name ..... E-mail .....

..... Telephone .....


Company ..... Fax .....

.....

Address .....

.....

Item name	PNC	Quantity



Dealer stamp

**Electrolux  
Authorized  
Partner**

Look for the Electrolux partner nearest to you in our website:  
[www.electrolux.com/professional](http://www.electrolux.com/professional)





Discover the Electrolux Excellence  
and share more of our thinking at  
[www.professional.electrolux.com](http://www.professional.electrolux.com)

Follow us on



## Excellence with the environment in mind

- ▶ All our factories are ISO 14001-certified
- ▶ All our solutions are designed for low consumption of water, energy, detergents and harmful emissions
- ▶ In recent years over 70% of our product features have been updated with the environmental needs of our customers in mind
- ▶ Our technology is ROHS and REACH compliant and over 95% recyclable
- ▶ Our products are 100% quality tested by experts

