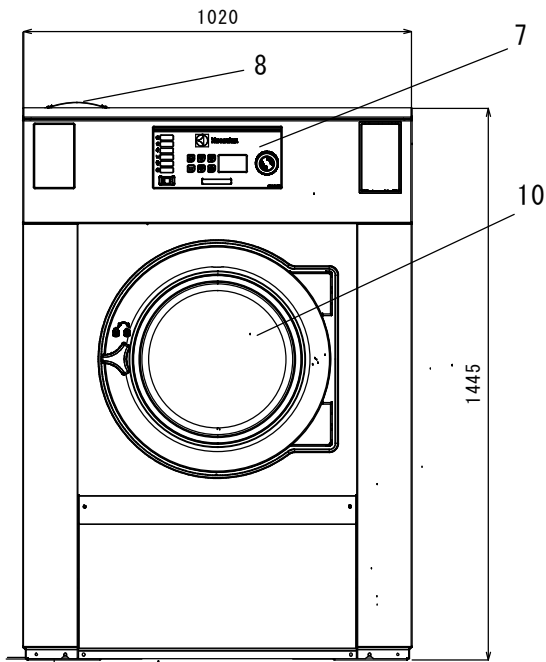
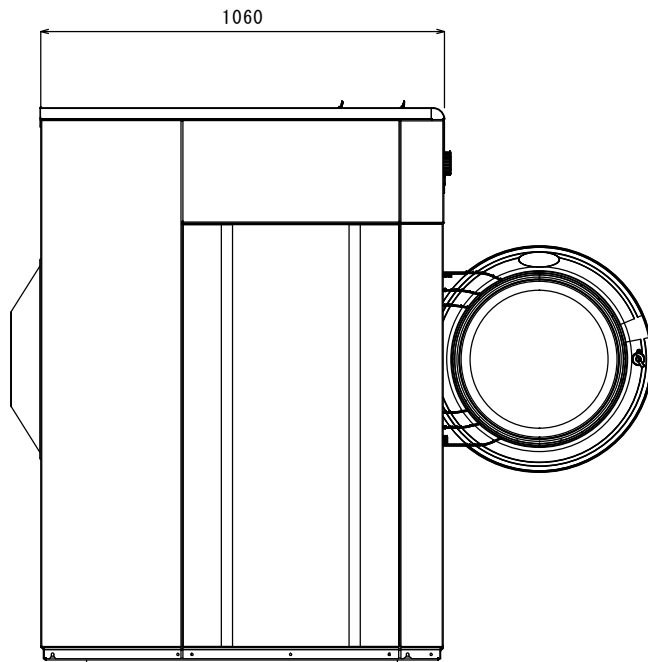


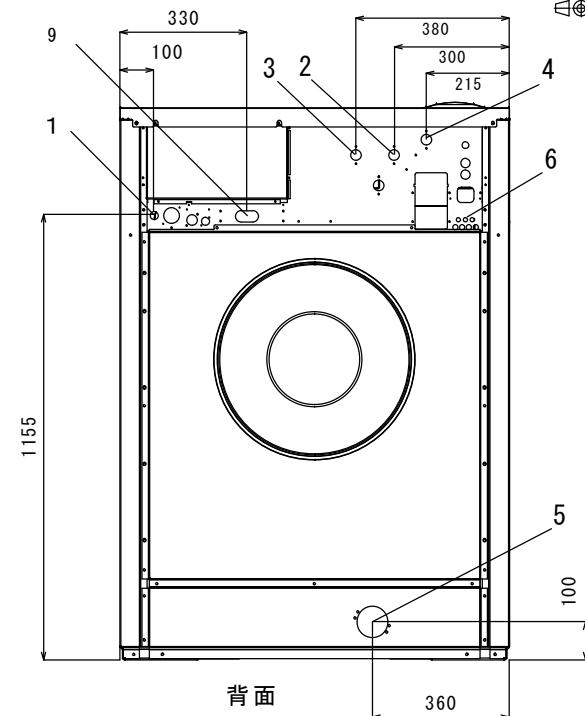
Tolerance: (M) ±0.1mm (max) (F) ±0.2mm (max) (S) ±0.3mm (max) (H) ±0.4mm (max) (K) ±0.5mm (max) (L) ±0.6mm (max) (P) ±0.7mm (max) (R) ±0.8mm (max) (T) ±0.9mm (max) (V) ±1.0mm (max) (W) ±1.1mm (max) (X) ±1.2mm (max) (Y) ±1.3mm (max) (Z) ±1.4mm (max) (AA) ±1.5mm (max) (AB) ±1.6mm (max) (AC) ±1.7mm (max) (AD) ±1.8mm (max) (AE) ±1.9mm (max) (AF) ±2.0mm (max) (AG) ±2.1mm (max) (AH) ±2.2mm (max) (AI) ±2.3mm (max) (AJ) ±2.4mm (max) (AK) ±2.5mm (max) (AL) ±2.6mm (max) (AM) ±2.7mm (max) (AN) ±2.8mm (max) (AO) ±2.9mm (max) (AP) ±3.0mm (max) (AQ) ±3.1mm (max) (AR) ±3.2mm (max) (AS) ±3.3mm (max) (AT) ±3.4mm (max) (AU) ±3.5mm (max) (AV) ±3.6mm (max) (AW) ±3.7mm (max) (AX) ±3.8mm (max) (AY) ±3.9mm (max) (AZ) ±4.0mm (max) (BA) ±4.1mm (max) (BB) ±4.2mm (max) (BC) ±4.3mm (max) (BD) ±4.4mm (max) (BE) ±4.5mm (max) (BF) ±4.6mm (max) (BG) ±4.7mm (max) (BH) ±4.8mm (max) (BI) ±4.9mm (max) (BJ) ±5.0mm (max) (BK) ±5.1mm (max) (BL) ±5.2mm (max) (BM) ±5.3mm (max) (BN) ±5.4mm (max) (BO) ±5.5mm (max) (BP) ±5.6mm (max) (BQ) ±5.7mm (max) (BR) ±5.8mm (max) (BS) ±5.9mm (max) (BT) ±6.0mm (max) (BU) ±6.1mm (max) (BV) ±6.2mm (max) (BW) ±6.3mm (max) (BX) ±6.4mm (max) (BY) ±6.5mm (max) (BZ) ±6.6mm (max) (CA) ±6.7mm (max) (CB) ±6.8mm (max) (CC) ±6.9mm (max) (CD) ±7.0mm (max) (CE) ±7.1mm (max) (CF) ±7.2mm (max) (CG) ±7.3mm (max) (CH) ±7.4mm (max) (CI) ±7.5mm (max) (CJ) ±7.6mm (max) (CK) ±7.7mm (max) (CL) ±7.8mm (max) (CM) ±7.9mm (max) (CN) ±8.0mm (max) (CO) ±8.1mm (max) (CP) ±8.2mm (max) (CQ) ±8.3mm (max) (CR) ±8.4mm (max) (CS) ±8.5mm (max) (CT) ±8.6mm (max) (CU) ±8.7mm (max) (CV) ±8.8mm (max) (CW) ±8.9mm (max) (CX) ±9.0mm (max) (CY) ±9.1mm (max) (CZ) ±9.2mm (max) (DA) ±9.3mm (max) (DB) ±9.4mm (max) (DC) ±9.5mm (max) (DD) ±9.6mm (max) (DE) ±9.7mm (max) (DF) ±9.8mm (max) (DG) ±9.9mm (max) (DH) ±10.0mm (max) (DI) ±10.1mm (max) (DJ) ±10.2mm (max) (DK) ±10.3mm (max) (DL) ±10.4mm (max) (DM) ±10.5mm (max) (DN) ±10.6mm (max) (DO) ±10.7mm (max) (DP) ±10.8mm (max) (DQ) ±10.9mm (max) (DR) ±11.0mm (max) (DS) ±11.1mm (max) (DT) ±11.2mm (max) (DU) ±11.3mm (max) (DV) ±11.4mm (max) (DW) ±11.5mm (max) (DX) ±11.6mm (max) (DY) ±11.7mm (max) (DZ) ±11.8mm (max) (EA) ±11.9mm (max) (EB) ±12.0mm (max) (EC) ±12.1mm (max) (ED) ±12.2mm (max) (EE) ±12.3mm (max) (EF) ±12.4mm (max) (EG) ±12.5mm (max) (EH) ±12.6mm (max) (EI) ±12.7mm (max) (EJ) ±12.8mm (max) (EK) ±12.9mm (max) (EL) ±13.0mm (max) (EM) ±13.1mm (max) (EN) ±13.2mm (max) (EO) ±13.3mm (max) (EP) ±13.4mm (max) (EQ) ±13.5mm (max) (ER) ±13.6mm (max) (ES) ±13.7mm (max) (ET) ±13.8mm (max) (EU) ±13.9mm (max) (EV) ±14.0mm (max) (EW) ±14.1mm (max) (EX) ±14.2mm (max) (EY) ±14.3mm (max) (EZ) ±14.4mm (max) (FA) ±14.5mm (max) (FB) ±14.6mm (max) (FC) ±14.7mm (max) (FD) ±14.8mm (max) (FE) ±14.9mm (max) (FF) ±15.0mm (max) (FG) ±15.1mm (max) (FH) ±15.2mm (max) (FI) ±15.3mm (max) (FJ) ±15.4mm (max) (FK) ±15.5mm (max) (FL) ±15.6mm (max) (FM) ±15.7mm (max) (FN) ±15.8mm (max) (FO) ±15.9mm (max) (FP) ±16.0mm (max) (FQ) ±16.1mm (max) (FR) ±16.2mm (max) (FS) ±16.3mm (max) (FT) ±16.4mm (max) (FU) ±16.5mm (max) (FV) ±16.6mm (max) (FW) ±16.7mm (max) (FX) ±16.8mm (max) (FY) ±16.9mm (max) (FZ) ±17.0mm (max) (GA) ±17.1mm (max) (GB) ±17.2mm (max) (GC) ±17.3mm (max) (GD) ±17.4mm (max) (GE) ±17.5mm (max) (GF) ±17.6mm (max) (GG) ±17.7mm (max) (GH) ±17.8mm (max) (GI) ±17.9mm (max) (GJ) ±18.0mm (max) (GK) ±18.1mm (max) (GL) ±18.2mm (max) (GM) ±18.3mm (max) (GN) ±18.4mm (max) (GO) ±18.5mm (max) (GP) ±18.6mm (max) (GQ) ±18.7mm (max) (GR) ±18.8mm (max) (GS) ±18.9mm (max) (GT) ±19.0mm (max) (GU) ±19.1mm (max) (GV) ±19.2mm (max) (GW) ±19.3mm (max) (GX) ±19.4mm (max) (GY) ±19.5mm (max) (GZ) ±19.6mm (max) (HA) ±19.7mm (max) (HB) ±19.8mm (max) (HC) ±19.9mm (max) (HD) ±20.0mm (max) (HE) ±20.1mm (max) (HF) ±20.2mm (max) (HG) ±20.3mm (max) (HH) ±20.4mm (max) (HI) ±20.5mm (max) (HJ) ±20.6mm (max) (HK) ±20.7mm (max) (HL) ±20.8mm (max) (HM) ±20.9mm (max) (HN) ±21.0mm (max) (HO) ±21.1mm (max) (HP) ±21.2mm (max) (HQ) ±21.3mm (max) (HR) ±21.4mm (max) (HS) ±21.5mm (max) (HT) ±21.6mm (max) (HU) ±21.7mm (max) (HV) ±21.8mm (max) (HW) ±21.9mm (max) (HX) ±22.0mm (max) (HY) ±22.1mm (max) (HZ) ±22.2mm (max) (IA) ±22.3mm (max) (IB) ±22.4mm (max) (IC) ±22.5mm (max) (ID) ±22.6mm (max) (IE) ±22.7mm (max) (IF) ±22.8mm (max) (IG) ±22.9mm (max) (IH) ±23.0mm (max) (II) ±23.1mm (max) (IJ) ±23.2mm (max) (IK) ±23.3mm (max) (IL) ±23.4mm (max) (IM) ±23.5mm (max) (IN) ±23.6mm (max) (IO) ±23.7mm (max) (IP) ±23.8mm (max) (IQ) ±23.9mm (max) (IR) ±24.0mm (max) (IS) ±24.1mm (max) (IT) ±24.2mm (max) (IU) ±24.3mm (max) (IV) ±24.4mm (max) (IW) ±24.5mm (max) (IX) ±24.6mm (max) (IY) ±24.7mm (max) (IZ) ±24.8mm (max) (JA) ±24.9mm (max) (JB) ±25.0mm (max) (JC) ±25.1mm (max) (JD) ±25.2mm (max) (JE) ±25.3mm (max) (JF) ±25.4mm (max) (JG) ±25.5mm (max) (JH) ±25.6mm (max) (JI) ±25.7mm (max) (JJ) ±25.8mm (max) (JK) ±25.9mm (max) (JL) ±26.0mm (max) (JM) ±26.1mm (max) (JN) ±26.2mm (max) (JO) ±26.3mm (max) (JP) ±26.4mm (max) (JQ) ±26.5mm (max) (JR) ±26.6mm (max) (JS) ±26.7mm (max) (JT) ±26.8mm (max) (JU) ±26.9mm (max) (JV) ±27.0mm (max) (JW) ±27.1mm (max) (JX) ±27.2mm (max) (JY) ±27.3mm (max) (JZ) ±27.4mm (max) (KA) ±27.5mm (max) (KB) ±27.6mm (max) (KC) ±27.7mm (max) (KD) ±27.8mm (max) (KE) ±27.9mm (max) (KF) ±28.0mm (max) (KG) ±28.1mm (max) (KH) ±28.2mm (max) (KI) ±28.3mm (max) (KJ) ±28.4mm (max) (KK) ±28.5mm (max) (KL) ±28.6mm (max) (KM) ±28.7mm (max) (KN) ±28.8mm (max) (KO) ±28.9mm (max) (KP) ±29.0mm (max) (KQ) ±29.1mm (max) (KR) ±29.2mm (max) (KS) ±29.3mm (max) (KT) ±29.4mm (max) (KU) ±29.5mm (max) (KV) ±29.6mm (max) (KW) ±29.7mm (max) (KX) ±29.8mm (max) (KY) ±29.9mm (max) (KZ) ±30.0mm (max) (LA) ±30.1mm (max) (LB) ±30.2mm (max) (LC) ±30.3mm (max) (LD) ±30.4mm (max) (LE) ±30.5mm (max) (LF) ±30.6mm (max) (LG) ±30.7mm (max) (LH) ±30.8mm (max) (LI) ±30.9mm (max) (LJ) ±31.0mm (max) (LK) ±31.1mm (max) (LL) ±31.2mm (max) (LM) ±31.3mm (max) (LN) ±31.4mm (max) (LO) ±31.5mm (max) (LP) ±31.6mm (max) (LQ) ±31.7mm (max) (LR) ±31.8mm (max) (LS) ±31.9mm (max) (LT) ±32.0mm (max) (LU) ±32.1mm (max) (LV) ±32.2mm (max) (LW) ±32.3mm (max) (LX) ±32.4mm (max) (LY) ±32.5mm (max) (LZ) ±32.6mm (max) (MA) ±32.7mm (max) (MB) ±32.8mm (max) (MC) ±32.9mm (max) (MD) ±33.0mm (max) (ME) ±33.1mm (max) (MF) ±33.2mm (max) (MG) ±33.3mm (max) (MH) ±33.4mm (max) (MI) ±33.5mm (max) (MJ) ±33.6mm (max) (MK) ±33.7mm (max) (ML) ±33.8mm (max) (MN) ±33.9mm (max) (MO) ±34.0mm (max) (MP) ±34.1mm (max) (MQ) ±34.2mm (max) (MR) ±34.3mm (max) (MS) ±34.4mm (max) (MT) ±34.5mm (max) (MU) ±34.6mm (max) (MV) ±34.7mm (max) (MW) ±34.8mm (max) (MX) ±34.9mm (max) (MY) ±35.0mm (max) (MZ) ±35.1mm (max) (NA) ±35.2mm (max) (NB) ±35.3mm (max) (NC) ±35.4mm (max) (ND) ±35.5mm (max) (NE) ±35.6mm (max) (NF) ±35.7mm (max) (NG) ±35.8mm (max) (NH) ±35.9mm (max) (NI) ±36.0mm (max) (NJ) ±36.1mm (max) (NK) ±36.2mm (max) (NL) ±36.3mm (max) (NM) ±36.4mm (max) (NO) ±36.5mm (max) (NP) ±36.6mm (max) (NQ) ±36.7mm (max) (NR) ±36.8mm (max) (NS) ±36.9mm (max) (NT) ±37.0mm (max) (NU) ±37.1mm (max) (NV) ±37.2mm (max) (NW) ±37.3mm (max) (NX) ±37.4mm (max) (NY) ±37.5mm (max) (NZ) ±37.6mm (max) (OA) ±37.7mm (max) (OB) ±37.8mm (max) (OC) ±37.9mm (max) (OD) ±38.0mm (max) (OE) ±38.1mm (max) (OF) ±38.2mm (max) (OG) ±38.3mm (max) (OH) ±38.4mm (max) (OI) ±38.5mm (max) (OJ) ±38.6mm (max) (OK) ±38.7mm (max) (OL) ±38.8mm (max) (OM) ±38.9mm (max) (ON) ±39.0mm (max) (OO) ±39.1mm (max) (OP) ±39.2mm (max) (OQ) ±39.3mm (max) (OR) ±39.4mm (max) (OS) ±39.5mm (max) (OT) ±39.6mm (max) (OU) ±39.7mm (max) (OV) ±39.8mm (max) (OW) ±39.9mm (max) (OX) ±40.0mm (max) (OY) ±40.1mm (max) (OZ) ±40.2mm (max) (PA) ±40.3mm (max) (PB) ±40.4mm (max) (PC) ±40.5mm (max) (PD) ±40.6mm (max) (PE) ±40.7mm (max) (PF) ±40.8mm (max) (PG) ±40.9mm (max) (PH) ±41.0mm (max) (PI) ±41.1mm (max) (PJ) ±41.2mm (max) (PK) ±41.3mm (max) (PL) ±41.4mm (max) (PM) ±41.5mm (max) (PN) ±41.6mm (max) (PO) ±41.7mm (max) (PP) ±41.8mm (max) (PQ) ±41.9mm (max) (PR) ±42.0mm (max) (PS) ±42.1mm (max) (PT) ±42.2mm (max) (PU) ±42.3mm (max) (PV) ±42.4mm (max) (PW) ±42.5mm (max) (PX) ±42.6mm (max) (PY) ±42.7mm (max) (PZ) ±42.8mm (max) (QA) ±42.9mm (max) (QB) ±43.0mm (max) (QC) ±43.1mm (max) (QD) ±43.2mm (max) (QE) ±43.3mm (max) (QF) ±43.4mm (max) (QG) ±43.5mm (max) (QH) ±43.6mm (max) (QI) ±43.7mm (max) (QJ) ±43.8mm (max) (QK) ±43.9mm (max) (QL) ±44.0mm (max) (QM) ±44.1mm (max) (QN) ±44.2mm (max) (QO) ±44.3mm (max) (QP) ±44.4mm (max) (QQ) ±44.5mm (max) (QR) ±44.6mm (max) (QS) ±44.7mm (max) (QT) ±44.8mm (max) (QU) ±44.9mm (max) (QV) ±45.0mm (max) (QW) ±45.1mm (max) (QX) ±45.2mm (max) (QY) ±45.3mm (max) (QZ) ±45.4mm (max) (RA) ±45.5mm (max) (RB) ±45.6mm (max) (RC) ±45.7mm (max) (RD) ±45.8mm (max) (RE) ±45.9mm (max) (RF) ±46.0mm (max) (RG) ±46.1mm (max) (RH) ±46.2mm (max) (RI) ±46.3mm (max) (RJ) ±46.4mm (max) (RK) ±46.5mm (max) (RL) ±46.6mm (max) (RM) ±46.7mm (max) (RN) ±46.8mm (max) (RO) ±46.9mm (max) (RP) ±47.0mm (max) (RQ) ±47.1mm (max) (RR) ±47.2mm (max) (RS) ±47.3mm (max) (RT) ±47.4mm (max) (RU) ±47.5mm (max) (RV) ±47.6mm (max) (RW) ±47.7mm (max) (RX) ±47.8mm (max) (RY) ±47.9mm (max) (RZ) ±48.0mm (max) (SA) ±48.1mm (max) (SB) ±48.2mm (max) (SC) ±48.3mm (max) (SD) ±48.4mm (max) (SE) ±48.5mm (max) (SF) ±48.6mm (max) (SG) ±48.7mm (max) (SH) ±48.8mm (max) (SI) ±48.9mm (max) (SJ) ±49.0mm (max) (SK) ±49.1mm (max) (SL) ±49.2mm (max) (SM) ±49.3mm (max) (SN) ±49.4mm (max) (SO) ±49.5mm (max) (SP) ±49.6mm (max) (SQ) ±49.7mm (max) (SR) ±49.8mm (max) (SS) ±49.9mm (max) (ST) ±50.0mm (max) (SU) ±50.1mm (max) (SV) ±50.2mm (max) (SW) ±50.3mm (max) (SX) ±50.4mm (max) (SY) ±50.5mm (max) (SZ) ±50.6mm (max) (TA) ±50.7mm (max) (TB) ±50.8mm (max) (TC) ±50.9mm (max) (TD) ±51.0mm (max) (TE) ±51.1mm (max) (TF) ±51.2mm (max) (TG) ±51.3mm (max) (TH) ±51.4mm (max) (TI) ±51.5mm (max) (TJ) ±51.6mm (max) (TK) ±51.7mm (max) (TL) ±51.8mm (max) (TM) ±51.9mm (max) (TN) ±52.0mm (max) (TO) ±52.1mm (max) (TP) ±52.2mm (max) (TQ) ±52.3mm (max) (TR) ±52.4mm (max) (TS) ±52.5mm (max) (TT) ±52.6mm (max) (TU) ±52.7mm (max) (TV) ±52.8mm (max) (TW) ±52.9mm (max) (TX) ±53.0mm (max) (TY) ±53.1mm (max) (TZ) ±53.2mm (max) (UA) ±53.3mm (max) (UB) ±53.4mm (max) (UC) ±53.5mm (max) (UD) ±53.6mm (max) (UE) ±53.7mm (max) (UF) ±53.8mm (max) (UG) ±53.9mm (max) (UH) ±54.0mm (max) (UI) ±54.1mm (max) (UJ) ±54.2mm (max) (UK) ±54.3mm (max) (UL) ±54.4mm (max) (UM) ±54.5mm (max) (UN) ±54.6mm (max) (UO) ±54.7mm (max) (UP) ±54.8mm (max) (UQ) ±54.9mm (max) (UR) ±55.0mm (max) (US) ±55.1mm (max) (UT) ±55.2mm (max) (UU) ±55.3mm (max) (UV) ±55.4mm (max) (UW) ±55.5mm (max) (UX) ±55.6mm (max) (UY) ±55.7mm (max) (UZ) ±55.8mm (max) (VA) ±55.9mm (max) (VB) ±56.0mm (max) (VC) ±56.1mm (max) (VD) ±56.2mm (max) (VE) ±56.3mm (max) (VF) ±56.4mm (max) (VG) ±56.5mm (max) (VH) ±56.6mm (max) (VI) ±56.7mm (max) (VJ) ±56.8mm (max) (VK) ±56.9mm (max) (VL) ±57.0mm (max) (VM) ±57.1mm (max) (VN) ±57.2mm (max) (VO) ±57.3mm (max) (VP) ±57.4mm (max) (VQ) ±57.5mm (max) (VR) ±57.6mm (max) (VS) ±57.7mm (max) (VT) ±57.8mm (max) (VU) ±57.9mm (max) (VV) ±58.0mm (max) (VW) ±58.1mm (max) (VX) ±58.2mm (max) (VY) ±58.3mm (max) (VZ) ±58.4mm (max) (WA) ±58.5mm (max) (WB) ±58.6mm (max) (WC) ±58.7mm (max) (WD) ±58.8mm (max) (WE) ±58.9mm (max) (WF) ±59.0mm (max) (WG) ±59.1mm (max) (WH) ±59.2mm (max) (WI) ±59.3mm (max) (WJ) ±59.4mm (max) (WK) ±59.5mm (max) (WL) ±59.6mm (max) (WM) ±59.7mm (max) (WN) ±59.8mm (max) (WO) ±59.9mm (max) (WP) ±60.0mm (max) (WQ) ±60.1mm (max) (WR) ±60.2mm (max) (WS) ±60.3mm (max) (WT) ±60.4mm (max) (WU) ±60.5mm (max) (WV) ±60.6mm (max) (WW) ±60.7mm (max) (WX) ±60.8mm (max) (WY) ±60.9mm (max) (WZ) ±61.0mm (max) (XA) ±61.1mm (max) (XB) ±61.2mm (max) (XC) ±61.3mm (max) (XD) ±61.4mm (max) (XE) ±61.5mm (max) (XF) ±61.6mm (max) (XG) ±61.7mm (max) (XH) ±61.8mm (max) (XI) ±61.9mm (max) (XJ) ±62.0mm (max) (XK) ±62.1mm (max) (XL) ±62.2mm (max) (XM) ±62.3mm (max) (XN) ±62.4mm (max) (XO) ±62.5mm (max) (XP) ±62.6mm (max) (XQ) ±62.7mm (max) (XR) ±62.8mm (max) (XS) ±62.9mm (max) (XT) ±63.0mm (max) (XU) ±63.1mm (max) (XV) ±63.2mm (max) (XW) ±63.3mm (max) (XX) ±63.4mm (max) (XY) ±63.5mm (max) (XZ) ±63.6mm (max) (YA) ±63.7mm (max) (YB) ±63.8mm (max) (YC) ±63.9mm (max) (YD) ±64.0mm (max) (YE) ±64.1mm (max) (YF) ±64.2mm (max) (YG) ±64.3mm (max) (YH) ±64.4mm (max) (YI) ±64.5mm (max) (YJ) ±64.6mm (max) (YK) ±64.7mm (max) (YL) ±64.8mm (max) (YM) ±64.9mm (max) (YN) ±65.0mm (max) (YO) ±65.1mm (max) (YP) ±65.2mm (max) (YQ) ±65.3mm (max) (YR) ±65.4mm (max) (YS) ±65.5mm (max) (YT) ±65.6mm (max) (YU) ±65.7mm (max) (YV) ±65.8mm (max) (YW) ±65.9mm (max) (YX) ±66.0mm (max) (YZ) ±66.1mm (max) (ZA) ±66.2mm (max) (ZB) ±66.3mm (max) (ZC) ±66.4mm (max) (ZD) ±66.5mm (max) (ZE) ±66.6mm (max) (ZF) ±66.7mm (max) (ZG) ±66.8mm (max) (ZH) ±66.9mm (max) (ZI) ±67.0mm (max) (ZJ) ±67.1mm (max) (ZK) ±67.2mm (max) (ZL) ±67.3mm (max) (ZM) ±67.4mm (max) (ZN) ±67.5mm (max) (ZO) ±67.6mm (max) (ZP) ±67.7mm (max) (ZQ) ±67.8mm (max) (ZR) ±67.9mm (max) (ZS) ±68.0mm (max) (ZT) ±68.1mm (max) (ZU) ±68.2mm (max) (ZV) ±68.3mm (max) (ZW) ±68.4mm (max) (ZX) ±68.5mm (max) (ZY) ±68.6mm (max) (ZZ) ±68.7mm (max)



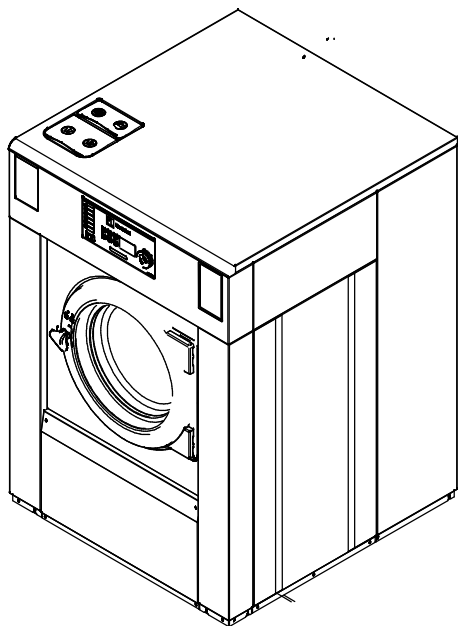
前面



右側面



背面



各部名称	
1	電気接続
2	給水
3	給湯
4	給水又は給湯
5	排水口
6	洗剤供給装置接続部
7	操作パネル
8	洗剤ボックス
9	蒸気接続口(蒸気式のみ)
10	ドア開口(435mm)

仕様	
最大処理量	33Kg (IEC60456)
ドラム容量	300リットル(直径795mm)
ドラム回転数	950rpm
接続口径、給水	3/4" (20A)
接続口径、給湯	3/4" (20A)
接続口径、排水	外径、直径75mm(呼び径65mm)
消費水量	262リットル(普通洗い60℃の場合)
消費電力量	0.6kWh
定格消費電力	2.7kW
推奨ブレーカー容量	16A
電源	3相200V 50/60Hz
本体重量	509kg

注、製品の仕様は改良のため、予告なく変更する場合があります。

	作成日付	改定日付	<h1>脱水洗濯機 W5300H</h1>
	DIM. mm	2013.8.28	
SCALE NTS	エレクトロラックスジャパン(株)		REV. Page. 1/1

FORM 1 A19871003-84130K
 © 2013 ELECTRO LUX JAPAN CO., LTD.
 ALL RIGHTS RESERVED.